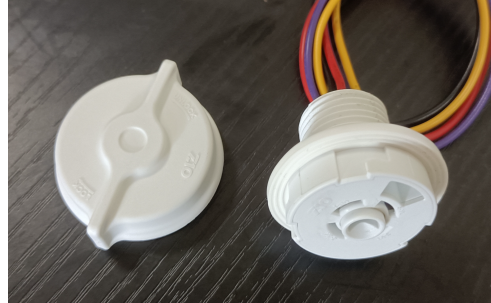


Z10 | Low Voltage Receptacle and Cap

Features

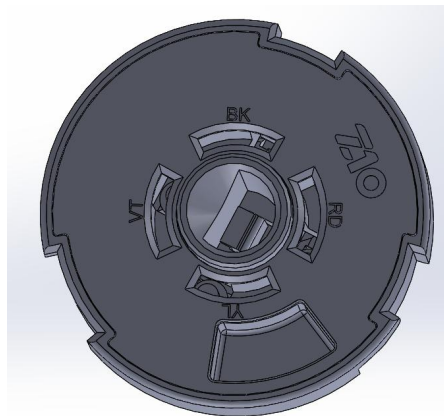
- Low Voltage Connector
- Meet UL category WJFX2 and WJFX8
- 1/2NPS mounting thread
- Recomend Install torque 1.5N.m



P10518 REC-Z10-WH
P10519 REC-Z10-BK



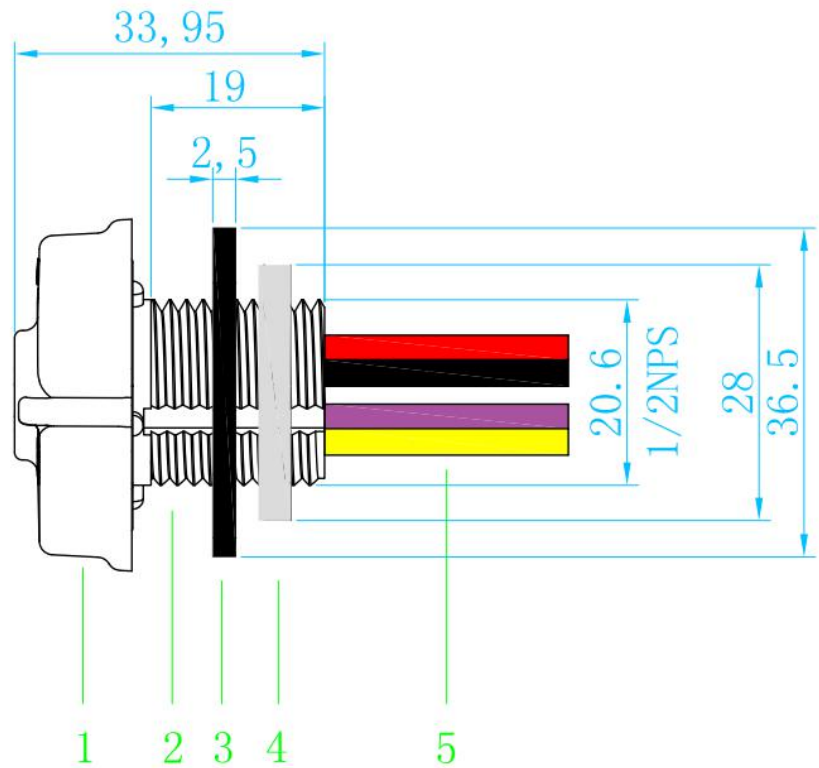
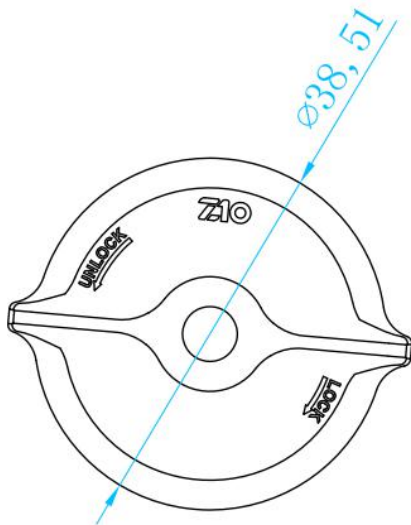
Electrical interface



4 pole contacts:

- Port 1 (RED Wire): Positive (+) pole of the 24 VDC power supply
- Port 2 (BLACK Wire)
 - Negative (-) pole for the 0-10V
 - Negative (-) pole for the 24VDC power supply
- Port 3 (VIOLET Wire): Positive(+) pole for the 0-10V protocol
- Port 4 (YELLOW Wire): General Digital I/O

MECHANICAL (mm)



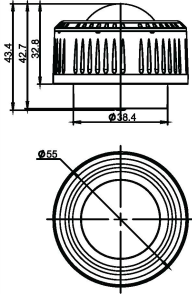
- 1) Protection cap
- 2) Receptacle body
- 3) Gasket
- 4) Lock-nut
- 5) Lead wire (18AWG 300mm)



P10522 SEN-ANT-6-Z10



P10316 SEN-BRI-RC100



INTRODUCTION

ANT-6-Z10 is mounts in an outdoor lighting fixture(street lighting, garden lighting, passageway lighting) and provides multi-level control based on motion and/or daylight contribution.

It controls 0-10 VDC LED drivers or dimming ballasts, and is rated for wet and cold locations. All control parameters are adjustable via a wireless configuration tool capable of storing.

SPECIFICATIONS

| | |
|--------------------|---|
| Power supply | 12V-24V DC, >30mA |
| Dim control output | 0-10V, max. 25mA sinking current |
| Remote range | 50ft. (15ml indoor, no backliht) |
| Dim control cutout | 0-10V |
| Detection radius | 20%/50%/75%/100%(1-Bml) |
| Mounting height | Max 40ft.(12meters) |
| Time setting | 10s/1 min/5min/1 0min/15min/20min/30min/60min |
| Light-control | 24H/1 0LUX/30LUX/50LUX |
| Temperature | -4 °F - +140 °F I-20 °C - +60 °C I |
| IP ratino | IP65 |

⚠ WARNING

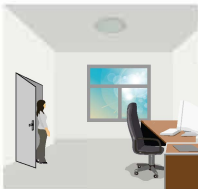
NOTE: Warm up time is 40seconds. After the sensor connects input power first time, the light will keep on 40seconds, then go to dimming to work normally.

NOTE: Factory Default Setting: 100% sensitivity, Hold on time: 5min, Daylight sensor is \diamond , Dimming level: 30%, Dimming time: 60minutues.

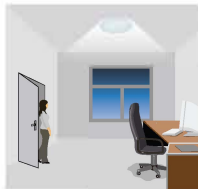
NOTE: Any setting changed by remote control, the led light that sensor connect will on/off as confirm.

Corridor Function

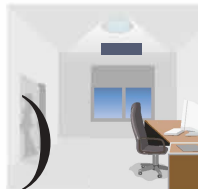
This function inside the motion sensor to achieve tri-level control, for some areas which require a light change notice before switch-off. The sensor offers 3 levels of light: 100%-->dimmed light (natural light is insufficient) -->off; and 2 periods of selectable waiting time: motion hold-time and stand-by period; Selectable daylight threshold and freedom of detection area.



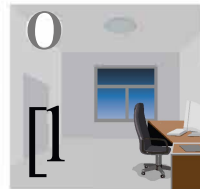
With sufficient natural light, the light does not switch on when presence is detected.



With insufficient natural light, the sensor switches on the light automatically when presence is detected.



After hold-time, the light dims to stand-by level if the surrounding natural light is below the daylight threshold.



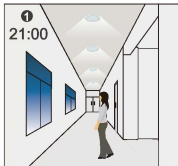
Light switches off automatically after the stand-by period elapses.

210 Bi-level PIR Sensor For High Bay Light

P10522 SEN-ANT-6-Z10

Daylight Sensor Function

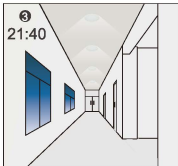
Open the daylight sensor by push @ when remote control is in setting condition.



The light switches on at 100% when there is movement detected.



The light dims to stand-by level after the hold-time.



The light remains in dimming level at night.

Settings on this demonstration:

Hold-time: 30min

Setpoint on:50lux

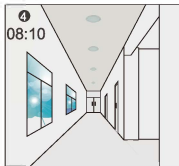
Setpoint off:300lux

Stand-by Dim: 10%

Stand-by period: 30

(when the smart photocell sensor open, the stand-by time is only +c)

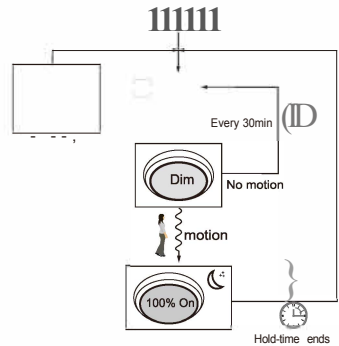
0 goes in cycle at night— 100% on when movement detected, and dims to 10% in long absence.



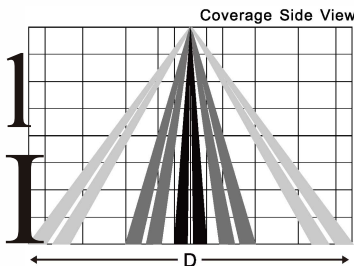
When the natural light level exceeds setpoint off to light, the light will turn off even if when the space is occupied.



The light automatically turns on at 10% when natural light is insufficient (no motion).



SENSOR_COVERAGE



| Height | Rang Diameter(D) | | | |
|--------|----------------------|---------------------|---------------------|---------------------|
| | Sensitivity 100%(ft) | Sensitivity 75%(ft) | Sensitivity 50%(ft) | Sensitivity 25%(ft) |
| 40 | 40 | 20 | 0 | 0 |
| 30 | 50 | 40 | 5 | 0 |
| 20 | 40 | 40 | 20 | 10 |
| 10 | 40 | 40 | 40 | 20 |

■ Minor Motion

■ Major Motion

Maximum mounting use 40ft.

Recommend mounting use 30-35ft.

The detection area for movement sensor can be roughly divided into two parts:

Minor movement (person moving < 3.0/s or 0.9m/s)

Major movement (person moving > 3.0/s or 0.9m/s)

PORT_DESCRIPTION

- Port 1 : 12-24Vdc
- Port 2 : GND/DIM -
- Port 3 : DIM+
- Port 4 : NC

